

Kem-P® Vibration Motors

EVM-DC SERIES



- KALİTE / QUALITY
- TASARIM / DESIGN
- TEKNOLOJİ / TECHNOLOGY
- YENİLİK / INNOVATION
- GÜÇ / POWER
- TECRÜBE / KNOW-HOW
- SERVİS / SERVICE
- PERFORMANS / PERFORMANCE
- VERİMLİLİK / PRODUCTIVITY



www.kem-p.com

24V / DC

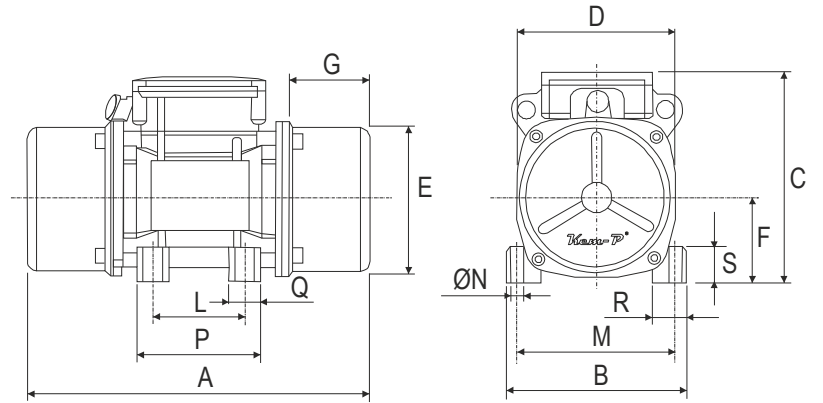
Model Type	Gövde Size	Vibrasyon Motoru - Vibrations Motors						Konverter - Converters		
		Devir rpm	Santrüfuj Kuvveti Centrifugal Force		Statik Moment Statical Moment (Kgmm)	Ağırlık Weight (Kg)	Giriş Gücü Input Power (W)	Nominal Akım Nom. Current (A)	Giriş Gücü Input Power (W)	Nominal Akım Nom. Current (A)
			(Kg/F)	(KN)						
EVM/DC 130-24	01	3000	125	1,226	12,4	4,7	180	2,80	650	10,0
EVM/DC 200-24	01	3000	187	1,834	18,6	5	180	3,00	650	10,0
EVM/DC 90-24	01	1500	78	0,765	31,0	5,5	95	2,50	650	10,0

12V / DC

Model Type	Gövde Size	Vibrasyon Motoru - Vibrations Motors						Konverter - Converters		
		Devir rpm	Santrüfuj Kuvveti Centrifugal Force		Statik Moment Statical Moment (Kgmm)	Ağırlık Weight (Kg)	Giriş Gücü Input Power (W)	Nominal Akım Nom. Current (A)	Giriş Gücü Input Power (W)	Nominal Akım Nom. Current (A)
			(Kg/F)	(KN)						
EVM/DC 130-12	01	3000	125	1,226	12,4	4,7	180	7,20	650	10,0
EVM/DC 200-12	01	3000	187	1,834	18,6	5	180	7,35	650	10,0
EVM/DC 90-12	01	1500	78	0,765	31,0	5,5	95	7,10	650	10,0



Model Type	Gövde Size	Gövde Ölçüleri - Overall Dimensions (mm)														
		Rif	A	B	C	D	ØE	F	G	L	M	ØN	P	Q	R	S
EVM/DC 130-24	01	--	241	125	145	109	100	58	60,5	70÷74	106	8,75	90	23	23	23
EVM/DC 200-24	01	--	241	125	145	109	100	58	60,5	70÷74	106	8,75	90	23	23	23
EVM/DC 90-24	01	--	241	125	145	109	100	58	60,5	70÷74	106	8,75	90	23	23	23
EVM/DC 130-12	01	--	241	125	145	109	100	58	60,5	70÷74	106	8,75	90	23	23	23
EVM/DC 200-12	01	--	241	125	145	109	100	58	60,5	70÷74	106	8,75	90	23	23	23
EVM/DC 90-12	01	--	241	125	145	109	100	58	60,5	70÷74	106	8,75	90	23	23	23



12V - DC 24V - DC

Motor Δ TRIANGLE

