

■ 电机技术参数 Motor Technical Parameters

	电机型号		功率 Power W	电压 Voltage V	频率 Frequency Hz	电流 Current A	启动转矩 Starting torque mN.m	额定转矩 Rated Torque mN.m	额定转速 Rated Speed r/min	额定时间 Rated Time min	电容 Capacitor μF/VAC
	圆轴电机 motor with round shaft	齿轴电机 motor with gear shaft									
感应电机 Induction motor	5IK60A-A	5IK60GU-A	60	1PH110 (单相)	50	0.92	400	440	1300	连续 Continuous	14/250
					60	0.84	335	365	1500		
	5IK60A-C	5IK60GU-C	60	1PH220 (单相)	50	0.48	400	440	1300	连续 Continuous	4.0/450
					60	0.43	335	365	1500		
5IK60A-S	5IK60GU-S	60	3PH220 (三相)	50	0.50	1100	440	1300	连续 Continuous		
				60	0.45	920	365	1500			
5IK60A-U	5IK60GU-U	60	3PH380 (三相)	50	0.30	1100	440	1300	连续 Continuous		
				60	0.27	920	365	1500			
可逆电机 Reversible motor	5RK60A-A	5RK60GU-A	60	1PH110 (单相)	50	1.00	420	460	1300	30	15/250
					60	0.91	350	385	1500		
	5RK60A-C	5RK60GU-C	60	1PH220 (单相)	50	0.54	420	460	1300	30	4.0/450
					60	0.49	350	385	1500		
刹车电机 brake motor	5IK60A-AM	5IK60GU-AM	60	1PH110 (单相)	50	1.00	420	440	1300	30	15/250
					60	0.91	350	365	1500		
	5IK60A-CM	5IK60GU-CM	60	1PH220 (单相)	50	0.54	420	440	1300	30	4.0/450
					60	0.49	350	365	1500		
5IK60A-SM	5IK60GU-SM	60	3PH220 (三相)	50	0.50	1100	460	1300	30		
				60	0.45	920	385	1500			
5IK60A-UM	5IK60GU-UM	60	3PH380 (三相)	50	0.30	1100	460	1300	30		
				60	0.27	920	385	1500			

	电机型号		功率 Power W	电压 Voltage V	频率 Frequency Hz	启动转矩 Starting torque mN.m	调速范围 Speed Control Range r/min	额定转矩 Rated Torque mN.m		额定时间 Rated Time min	电容 Capacitor μF/VAC
	圆轴电机 motor with round shaft	齿轴电机 motor with gear shaft						1250r/min	90r/min		
	调速电机 Variable speed	5IK60RA-A						5IK60RGU-A	60		
60			335	90-1600	460	140					
5IK60RA-C		5IK60RGU-C	60	1PH220 (单相)	50	400	90-1400	460	140	连续 Continuous	4.0/450
					60	335	90-1600	460	140		

■ 减速机允许负载 Allowable load for the gear motor

减速比 reduction ratio	3	5	7.5	10	12.5	15	18	20	25	30	36	40	50	60	75	90	100	120	150	180	200	250	300
	50Hz	500	300	200	150	120	100	83	75	60	50	41.6	37.5	30	25	20	16.6	15	12.5	10	8.3	7.5	6
60Hz	550	330	220	165	132	110	92	83	66	55	46	42	33	28	22	18	16	14	11	9	8	6.6	5.5

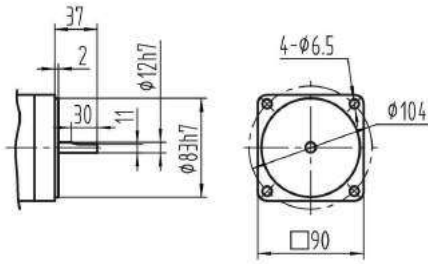
▲ 注意：使用电压和机型不同，电容容量不一样，订货时请务必指明具体的型号。

■ 色与马达成反方向，其余则与马达同一方向回转

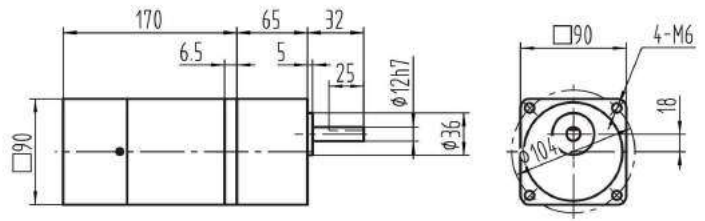
希望以大于上表的减速比进行减速时，可在电动机与减速器之间安装减速比

外形尺寸图
OUTLINE DIMENSION SHEET

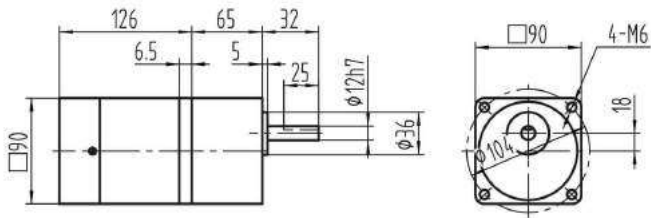
圆轴电机 Motors



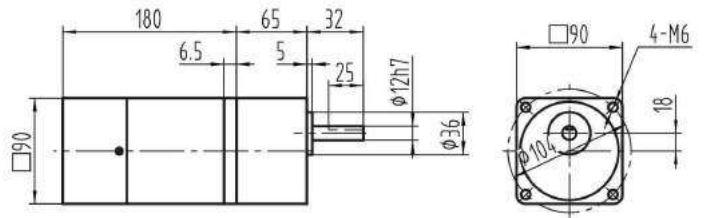
定速电磁制动电机 Brake Motors
5IK60GN-□MF+5GN□KB



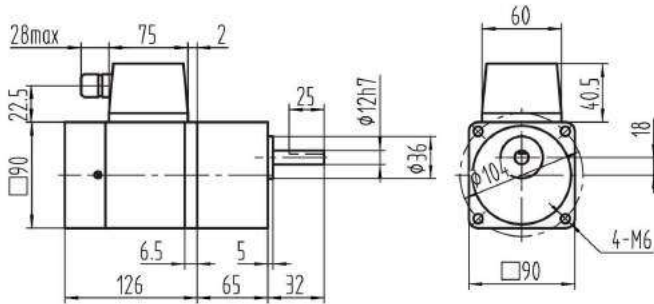
定速(调速)电机 Speed Constant(Control) Motors
5IK60GN-□(R)F+5GN□KB



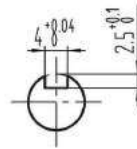
调速电磁制动电机 Speed Control & brake Motors
5IK60GN-□MRF+5GN□KB



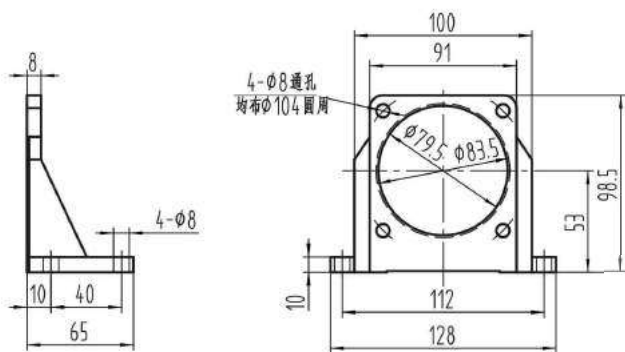
带端子盒电机 Terminal Box Type Motors
5IK60GN-□TF+5GN□KB



键 Key



90型脚架



051-36512626

www.kalasanatisafaei.com

