

# ELECTROGEN

SPINNING  
YOUR  
WORLD

Three Phase Motors (Aluminium Frame)

موتورهای سه فاز فریم آلومینیوم



ELECTROGEN

## IEC Three Phase Squirrel-Cage Motors Standard Motors up to Frame Size 160

### Technical Data

Aluminium housing. Basic version

IE1	Rated Output kW	Size	Type	Rated Speed rpm	Nominal Efficiency	Power Factor	Rated Current at 400V A	Rated Torque Nm	Starting Torque	Starting Current	Weight Kg
									For Direct-on-line starting as multiple of the rated		
									Torque	Current	
3000 rpm, 2-poles, 50 Hz, 400V											
0.18	63	34183	2780	63.8	0.7	0.6	0.62	2.8	3.7	3.8	
0.25		34253	2770	67.6	0.75	0.74	0.86	3.1	3.5	4.4	
0.37	71	35373	2800	73	0.80	1.00	1.3	3.0	5.0	5.8	
0.55		35553	2800	76	0.7	1.50	1.9	3.3	5.4	6.9	
0.75	80	37753	2830	78.3	0.80	1.70	2.5	3.1	6.0	8.8	
1.1		37113	2850	78	0.80	2.60	3.8	3.4	5.7	10.2	
1.5	90	39153	2850	77.7	0.84	3.3	5.0	2.4	5.5	13.2	
2.2		39223	2860	82.4	0.85	4.6	7.3	2.8	6.3	15.8	
3	100L	42035	2900	82.5	0.81	6.50	9.9	2.8	6.8	19	
4	112M	45045	2900	84.3	0.83	8.40	13.2	2.6	7.2	27	
5.5	132	48555	2930	86.7	0.87	10.5	18.0	2.0	5.9	38	
7.5		48755	2930	87.6	0.86	14.2	24.0	2.3	6.9	44	
11	160	51115	2940	87.9	0.89	21	36.0	2.1	6.5	68	
15		51155	2945	89	0.9	27.5	49.0	2.2	6.6	84	
18.5		51185	2945	90	0.9	34	60.0	2.4	7.0	95	
1500 rpm, 4-poles, 50 Hz, 400V											
0.12	63	41123	1350	55.7	0.6	0.52	0.85	1.9	2.8	3.9	
0.18		41183	1335	60.1	0.65	0.7	1.3	1.9	3.0	4.3	
0.25	71	36253	1380	68	0.7	0.78	1.8	1.9	3.8	5.5	
0.37		36373	1390	71.9	0.7	1.25	2.6	2.5	3.5	6.8	
0.55	80	38553	1410	74.0	0.74	1.50	3.8	2.3	4.9	8.9	
0.75		38753	1420	76	0.77	1.80	5.1	2.3	5.3	10.3	
1.1	90	40113	1410	77.5	0.76	2.60	7.4	2.3	4.9	12.7	
1.5		40153	1410	80.2	0.74	3.7	10.0	2.4	5.9	15.5	
2.2	100L	43225	1420	81	0.76	5.1	15.0	2.5	5.6	18.5	
3		43035	1420	82.7	0.82	6.40	20.0	2.7	5.6	21	
4	112M	46045	1425	83.3	0.83	8.40	27.0	1.9	5.7	31	
5.5	132	49555	1450	86	0.8	11.5	37.0	2.0	4.9	43	
7.5		49755	1440	87.6	0.86	14.4	50.0	2.3	5.4	53	
11	160	52115	1460	88.5	0.88	20.80	72.0	2.4	6.2	77	
15		52155	1460	89.4	0.89	27	98.0	2.5	6.2	97	

\* Flange-mounted (B5) and foot-mounted (B3) are available for all type of motors.

## IEC Three Phase Squirrel-Cage Motors Standard Motors up to Frame Size 160

### Technical Data

Aluminium housing. Basic version

IE1	Rated Output kW	Size	Type	Rated Speed rpm	Nominal Efficiency	Power Factor	Rated Current at 400v A	Rated Torque Nm	Starting Torque	Starting Current	Weight Kg
									For Direct-on-line starting as multiple of the rated		
									Torque	Current	
1000 rpm, 6-poles, 50 Hz, 400V											
0.09	63	41904	850	45.0	0.66	0.44	1.0	1.8	2.0	4.4	
0.18	71	36184	850	53.0	0.73	0.67	2.0	2.1	2.3	6.5	
0.25		36255	860	60.0	0.76	0.79	2.8	2.2	2.7	7.4	
0.37	80	38374	925	66.8	0.7	1.15	3.8	1.9	3.1	8.5	
0.55		38554	935	71.2	0.67	1.7	5.6	2.1	3.4	10.2	
0.75	90	40754	915	69.0	0.76	2.05	7.8	2.2	3.7	12	
1.1		40115	915	72.0	0.77	2.85	11.0	2.3	3.8	14	
1.5	100L	44155	925	74.0	0.75	3.90	15.0	2.3	4.0	16	
2.2	112M	47225	935	80	0.75	5.35	22.0	2.2	4.6	29	
3	132	50035	950	79.0	0.76	7.20	30.0	1.9	4.2	43	
4		50045	950	80.5	0.76	9.40	40.0	2.1	4.5	48	
5.5		50555	950	83.0	0.76	12.60	55.0	2.3	5.0	53.5	
7.5	160	53755	960	86.0	0.74	17.00	75.0	2.1	4.6	81	
11		53115	960	87.5	0.74	24.50	109.0	2.3	4.8	98	

\* Flange-mounted (B5) and foot-mounted (B3) are available for all type of motors.



# ELECTROGEN

## SPINNING YOUR WORLD

### Three Phase Motors (Cast Iron Frame)

موتورهای سه فاز فریم چدن

## IEC Three Phase Squirrel-Cage Motors Standard Motors Frame Sizes 160 to 225

### Technical Data

Cast iron housing. Basic version

IE1	Rated Output kW	Size	Type	Rated Speed rpm	Nominal Efficiency	Power Factor	Rated Current at 400v A	Rated Torque Nm	Starting Torque	Starting Current	Weight Kg
									For Direct-on-line starting as multiple of the rated		
									Torque	Current	
<b>3000 rpm, 2-poles, 50 Hz, 400V</b>											
11	160	51115	2925	87.6	0.86	21	36	2.0	5.7	87	
15		51155	2935	88.7	0.85	28.5	49	2.4	6.8	95	
18.5		51185	2935	89.3	0.87	34.5	60	2.7	7.6	105	
22	180	56225	2945	89.9	0.87	40.5	71	2.5	7.7	150	
30	200	59305	2960	90.7	0.79	60	97	2.5	7.3	195	
37		59375	2955	91.2	0.88	67	120	2.7	8.2	230	
45	225	62455	2960	91.7	0.88	80	145	2.3	6.7	280	
55	250	65555	2970	92.1	0.88	98	177	2	6.7	360	
75	280	68755	2975	92.7	0.86	136	241	2.2	6.8	470	
90		68905	2975	93	0.88	159	289	2.5	7.1	530	
110	315	71110	2982	93.3	0.86	198	352	2.3	7.5	680	
132		71132	2982	93.5	0.89	230	423	2.3	7.6	740	
160		71160	2982	93.8	0.91	270	512	2.3	7.4	880	
200		71200	2982	94	0.92	335	640	2.2	7.1	1000	
<b>1500 rpm, 4-poles, 50 Hz, 400V</b>											
11	160	52115	1460	87.6	0.81	22.5	72	2.7	6.9	89	
15		52155	1460	88.7	0.82	30	98	3.0	7.5	105	
18.5	180	57185	1468	89.3	0.85	35	120	2.2	7.3	170	
22		57225	1465	89.9	0.83	42.5	143	2.7	8.0	170	
30	200	60305	1472	90.7	0.83	58	195	2.3	6.9	220	
37	225	63375	1475	91.2	0.85	69	240	2.3	7.0	260	
45		63455	1475	91.7	0.86	82	291	2.6	7.2	290	
55	250	66555	1475	92.1	0.85	101	356	2.4	6.1	370	
75	280	69755	1485	92.7	0.85	137	482	2.3	7.0	500	
90		69905	1482	93.0	0.87	167	580	2.2	6.5	560	
110	315	72110	1488	93.3	0.84	205	706	2.3	6.5	690	
132		72132	1488	93.5	0.85	240	847	2.5	6.8	760	
160		72160	1486	93.8	0.86	285	1028	2.7	7.2	940	
200		72200	1486	94.0	0.87	355	1285	2.5	6.9	1140	



ELECTROGEN

## IEC Three Phase Squirrel-Cage Motors Standard Motors Frame Sizes 160 to 225

### Technical Data

Cast iron housing. Basic version

IE1	Rated Output kW	Size	Type	Rated Speed rpm	Nominal Efficiency	Power Factor	Rated Current at 400v A	Rated Torque Nm	Starting Torque	Starting Current	Weight Kg
									For Direct-on-line starting as multiple of the rated		
									Torque	Current	
1000 rpm, 6-poles, 50 Hz, 400V											
7.5	160	53755	970	84.7	0.73	17.5	74	2.1	5.5	100	
11		53115	965	86.4	0.77	24	109	1.9	5.9	120	
15	180	58155	975	87.7	0.77	32	147	2.3	6.1	155	
18.5	200	61185	978	88.6	0.79	38	181	2.5	6.3	200	
22		61225	980	98.2	0.79	45	214	2.8	6.8	220	
30	225	64305	978	90.2	0.82	59	293	2.7	6	270	
37	250	67375	980	90.8	0.82	72	361	2.7	6	330	
45	280	70455	986	91.4	0.84	85	436	2.6	7	440	
55		70555	986	91.9	0.85	102	533	2.6	6.7	500	
75	315	73750	988	92.6	0.83	141	725	2.5	7.1	660	
90		73900	988	92.9	0.83	168	870	2.6	7.3	740	
110		73110	988	93.4	0.86	198	1063	2.6	6.8	880	
132		73132	988	93.5	0.86	235	1276	3	7.5	1030	
160		73160	988	95.0	0.86	285	1546	3.1	7.7	1160	



# ELECTROGEN

SPINNING  
YOUR  
WORLD

Three phase electrical motors  
dimensional specification

اطلاعات ابعادی موتورهای سه فاز



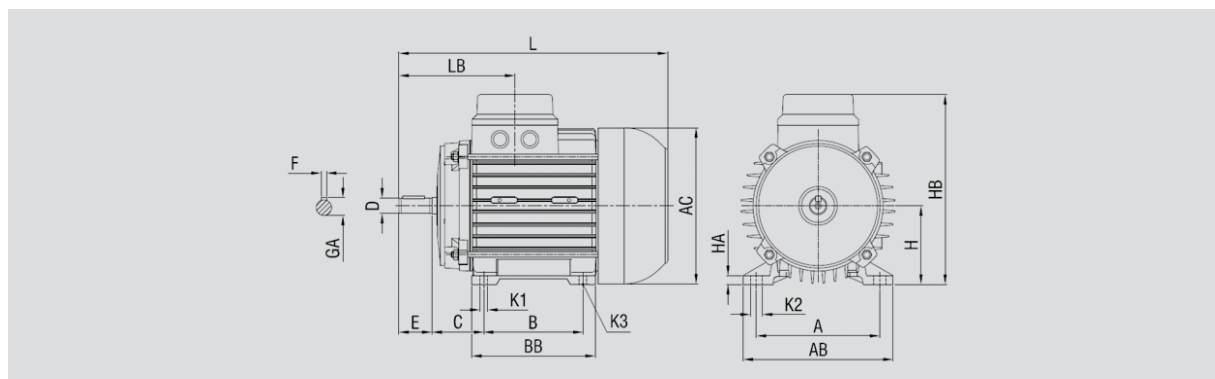
## IEC Three Phase Squirrel-Cage Motors Foot-Mounted Motor,IMB3

### Dimensions

Aluminium housing



Frame Size	No. of Poles	Dimension drawing according to IEC																	
		H	B	A	C	K1	K2	K3	D	E	F	GA	HA	BB	AB	AC	HB	LB	L
63	2-8	63	80	100	40	7	12	M6	11	23	4	12.5	7	101	120	124	157	91.5	208
71		90	112	47	15		14		30	5	16	8	112	136	141	176	105	244	
80		100	125	50	9	15.5	M8	19	40	6	21.5	12	125	150	159	203	118	273	
90S			140	56	10	18		8	24	50	27	15	123	174	176	216	133	306	
90L		125	17.5	155	331														
100		100	140	160	63	12	21	M10	28	60	31	16	175	193	194.5	235	152.5	403	
112		140	190	70	22	218	233						219.5	260	154	432			
132		132	178	216	89	12	38	80	10	41	218	262	259	327	193	532			
160		160	254	254	108	13	23	M12	42	110	12	45	23	302	318	313	388	264	620





ELECTROGEN

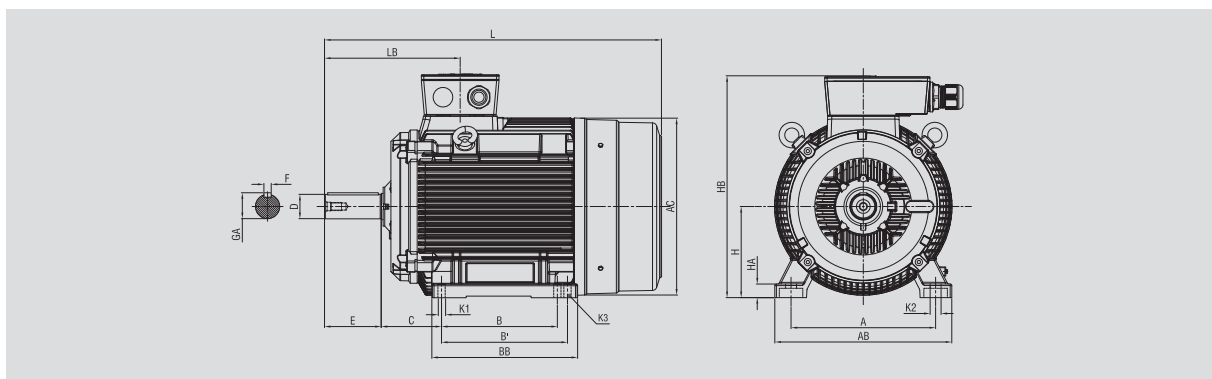
## IEC Three Phase Squirrel-Cage Motors Foot-Mounted Motor, IMB3

### Dimensions

Castiron housing



Frame Size	No. of Poles	Dimension drawing according to IEC																													
		H	B	B'	A	C	K1	K2	K3	D	E	F	GA	HA	BB	AB	AC	HB	LB	L											
160	2-8	160	254	-	254	108	12.5	23	M12	42	110	12	45	23	302	318	313	388	264	620											
180		180	241	279	279	121	14	19		48		14	51.5	19	328	344	354	438	268	664											
200		200	305	-	318	133	18	26	M16	55		16	59	27	352	377	395	500	307	724											
225		225	286	311	357	149	19	27		60		64	34	357	437	438	548	334	832												
250	2	250	349	-	405	168	24	30	M20	65	140	18	64	40	408	486	489	644	373	881											
280	4																				280	368	419	460	190	75	20	79.5	479	546	547
315 S	2	315	406	457	508	216	28	35	M24	65	140	18	69	50	608	610	616	826	378	1063											
	4									80	170	22	85							408	1093										
315 M	2		457	508						508	216	28	35							M24	65	140	18	69	50	608	610	616	826	378	1224
	4																				80	170	22	85							408
315 L	2	457	508	508	216	28	35	M24	65	140	18	69	50	608	610	616	826	378	1380												
	4								80	170	22	85							642	408	1410										



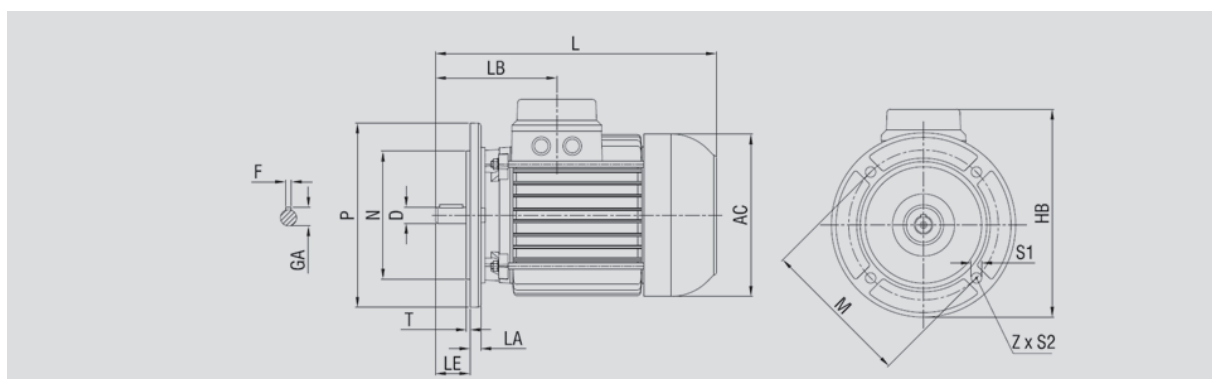
## IEC Three Phase Squirrel-Cage Motors Flange-Mounted Motor, IMB5

### Dimensions

Aluminium housing



Frame Size	No. of Poles	Dimension drawing according to IEC															
		P	N	M	LA	T	D	LE	F	GA	AC	HB	Z	S1	S2	LB	L
63	2-8	140	95	115	10	3	11	23	4	12.5	124	160	4	9	M8	91.5	208
71		160	110	130	9	3.5	14	30	5	16	141	185				105	244
80		200	130	165	11		19	40	6	21.5	159	223		118	273		
90S							12	M10	133	306							
90L		24	50	8	27	176			226	154	416						
100		13	M12		152.5	403											
112				250	180	215	15	4	28	60	31	194.5		260	154	416	
132		300	230	265	17	5	38	80	10	41	259	346		14.5	193	532	
160		350	250	300	19		42	110	12	45.1	313	404		17	M16	264	615





ELECTROGEN

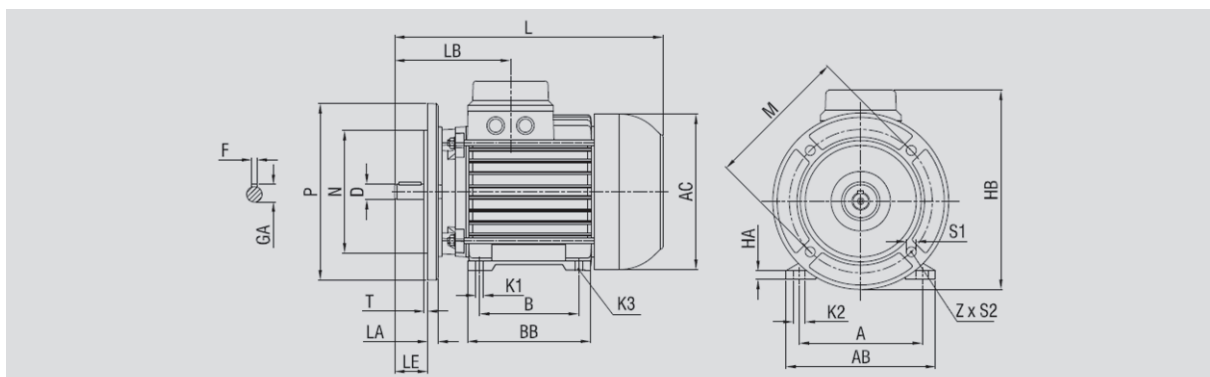
## IEC Three Phase Squirrel-Cage Motors Foot and Flange-Mounted Motor, IMB35

### Dimensions

Aluminium housing



Frame Size	No. of Poles	Dimension drawing according to IEC																							
		P	N	M	LA	T	D	LE	F	GA	AC	HB	Z	S1	S2	LB	L	B	A	K1	K2	K3	HA	BB	AB
63	2-8	140	95	115	10	3	11	23	4	12.5	124	160	4	9	M8	91.5	208	80	100	7	12	M6	7	101	120
71		160	110	130	9	3.5	14	30	5	16	141	185				105	244	90	112		15		8	112	136
80		200	130	165	11		19	40	6	21.5	159	223		100	12	M10	118	273	125	9	15.5	M8	12	125	150
90S							24	50	8	27	176	226					140	10		18	15		123	174	
90L		250	180	215	12.5	4	28	60		31	194.5	260		160	12	21		M10	16	175		193			
100									15								38			80	10	41	259	346	190
112		300	230	265	17	4	38	80	10	41	259	346		216	12	22	M10	16	218	262					
132																			14.5	193	532	178	216	12	22
160		350	250	300	19	5	42	110	12	45.1	313	404		254	254	12.5	23	M12	23	302	318				



051-36512626

www.kalasanatisafaei.com



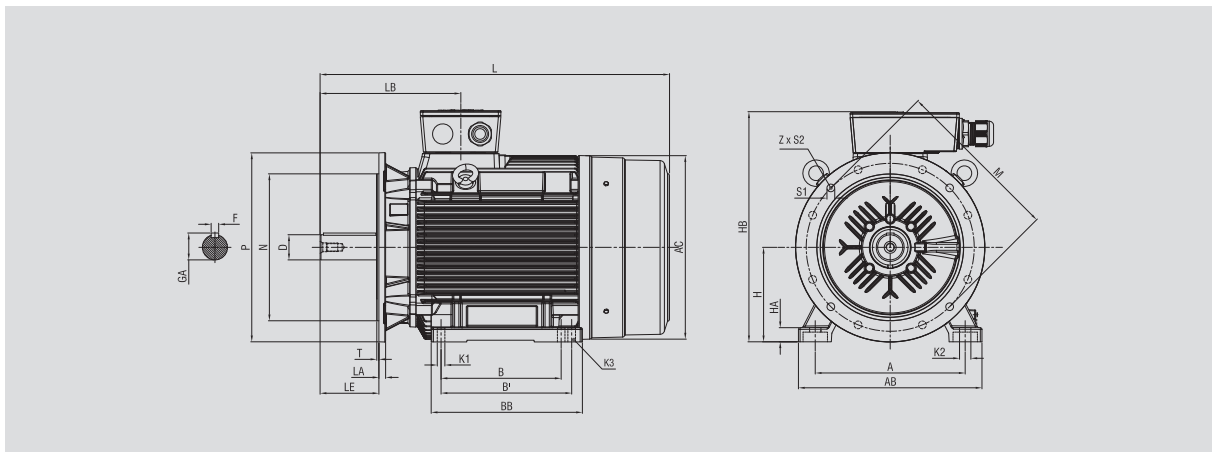
## IEC Three Phase Squirrel-Cage Motors Foot and Flange-Mounted Motor, IMB35

### Dimensions

Castiron housing



Frame Size	No. of Poles	Dimension drawing according to IEC																																															
		P	N	M	LA	T	D	LE	F	GA	AC	HB	Z	S1	S2	LB	L	B	B'	A	K1	K2	K3	HA	BB	AB																							
160	2-8	350	250	300	19	5	42	110	12	45	313	338	4	17	M16	264	620	254	-	254	12.5	23	M12	23	302	318																							
180		400	300	350	13		48		14	51.5	355	438				268	664	241	279	279	14	19		19	19	19	19	19	19	19	328	344																	
200		450	350	400	15		55		16	59	395	500				307	724	305	-	318	18	26	26	26	26	26	26	26	26	26	26	26	352	377															
225		450	350	400	16		60		64	438	548	334				832	286	311	357	19	27	27	27	27	27	27	27	27	27	27	27	27	357	437															
250	2	550	450	500	18	6	65	140	18	69	489	644	8	18.5	M16	373	881	349	-	405	24	30	M20	40	408	486																							
280	4																										75	20	79.5	547	722	350	960	368	419	460	479	546											
315 S	2																										65	140	18	69	378	1063	406	457	378	1093	378	1224	408	1254	457	508	509	28	36	M24	50	608	610
315 M	4																										80	170	22	85	408	1254	408	1254	408	1254	408	1254	408	1254	408	1254	408	1254	408	1254	408	1254	408
315 L	2	65	140	18	69	378	1380	457	508	378	1380	457	508	378	1380	457	508	509	28	36	M24	50	642	610																									
	4	80	170	22	85	408	1410	457	508	378	1410	457	508	378	1410	457	508	509	28	36	M24	50	642	610																									





ELECTROGEN

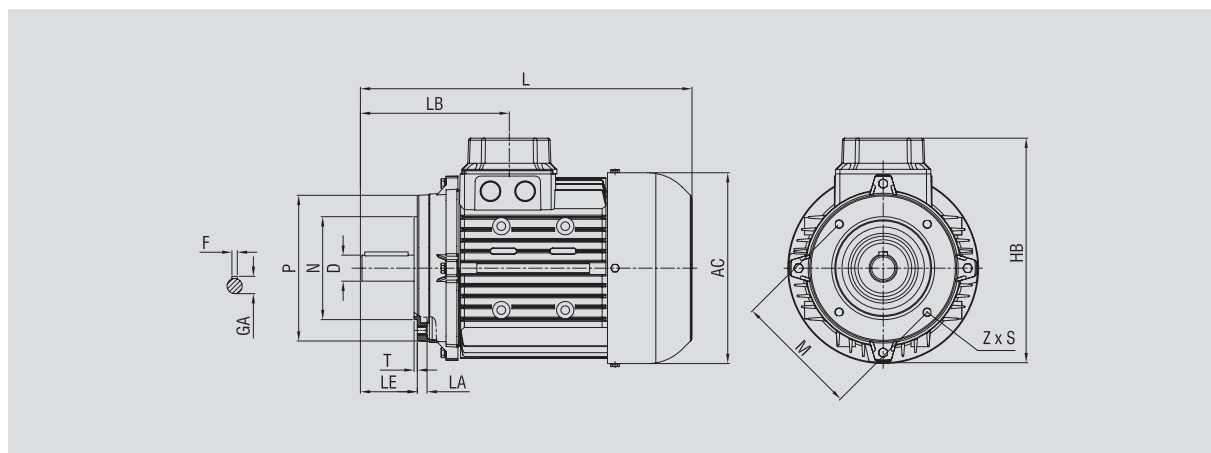
## IEC Three Phase Squirrel-Cage Motors Flange-Mounted Motor,IMB14

### Dimensions

Aluminium housing



Frame Size	Housing		No. of Poles	Dimension drawing according to IEC															
	Cast Aluminium	Cast Iron		P	N	M	LA	T	D	LE	AC	HB	L	LB	Z	S	F	GA	
63	Yes	No	2-8	90	60	75	8	2.5	11	23	124	156	208	91.5	4	M4	4	12.5	
71				106	70	85	9.5	3	14	30	141	174	244	105			M6	5	16
80				119	80	100	9		19	40	159	203	273	118		M8		6	21.5
90S				135	95	115		17	24	50	176	216	306	133	8		27		
90L				100	110	130	3.5						28			60		194	233
100				160	110	130	16.5	3.5	28	60	218	257	416	154	31				
112																			



## IEC Three Phase Squirrel-Cage Motors Standard Motors up to Frame Size 225

### Spare Parts

Part No.	Designation	Part No.	Designation
1	Frame	10	Fan
2	Stator	11	Fan Cover
3	Shaft	12	Screw for Fan Cover
4	Rotor	13	Frame Feet (1 Pair)
5	Bearing , N-end	14	Screw for Frame Feet
5	Bearing , D-end	15	Terminal board
6	Endshield , N-end	16	Screw for Terminal board
7	Wave Spring , N-end	17	Terminal box Cover
8	Endshield , D-end	18	Key , D-end
9	Screws for Endshields		

