

## جدول راهنمایی پمپ های KVGf

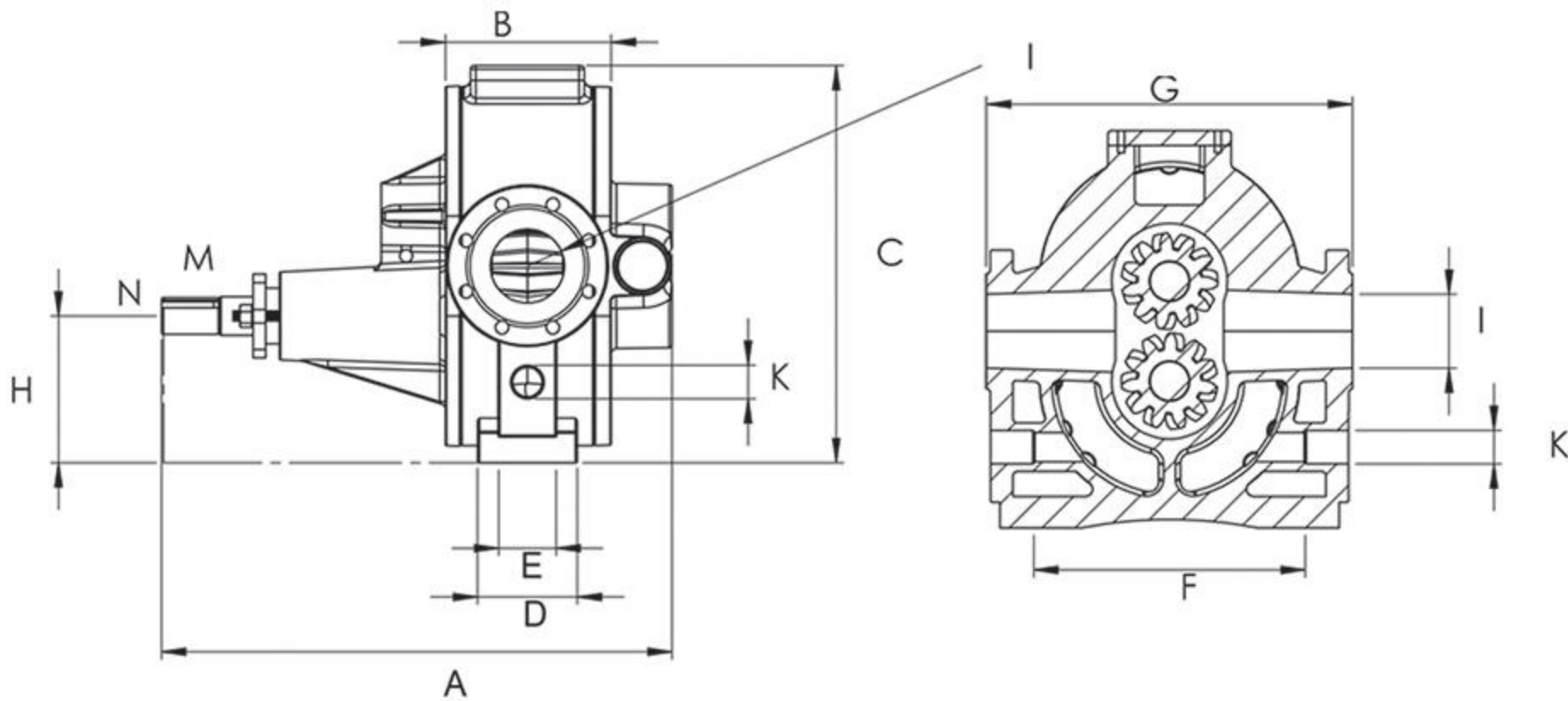
نوع پمپ	Pipe diameter (Inch)	Power (KW)	RPM min → max	Height (m)	Efficiency min → max
<b>KVGf-6</b>	2	4 → 7.5	300 → 700	0 → 50	85 → 200
<b>KVGf-7</b>	2/5	4 → 11	300 → 700	0 → 50	105 → 250
<b>KVGf-8</b>	3	5.5 → 15	300 → 700	0 → 50	260 → 600
<b>KVGf-9</b>	4	11 → 18.5	300 → 700	0 → 50	315 → 735
<b>KVGf-10</b>	4	15 → 22	300 → 700	0 → 50	536 → 1250
<b>KVGf-15</b>	6	22.5 → 55	300 → 700	0 → 50	875 → 2080
<b>KVGf-20</b>	8	30 → 90	300 → 700	0 → 50	1200 → 2800



## KVGf GUIDANCE TABLE

## اندازه و ابعاد پمپ KVGf

نوع پمپ	A	B	C	D	E	F	G	H	I	M	N	K
KVGf8	484	195	395	113	74	250	404	154	3inch	35	10	$\frac{3}{4}$ inch
KVGf9	515	216	395	127	83	250	404	154	4 inch	35	10	$\frac{3}{4}$ inch
KVGf10	700	225	541	136	87	379	498	200	4 inch	50	14	$\frac{1}{2}$ inch
KVGf15	700	260	610	180	120	400	550	235	6 inch	68	14	$\frac{1}{2}$ inch
KVGf20									8 inch			



## KVGf PUMP SIZE AND DIMENSIONS